

## AVerAI NO111B/NX211B Box PC

Designed for NVIDIA® Jetson Nano(Version B01)/ Xavier NX modules



AVerMedia Technologies, Inc.

No. 135, Jian 1st Rd., Zhonghe Dist., New Taipei City 23585, Taiwan

Tel: 886-2-2226-3630

Fax: 886-2-3234-4842

Sales and Marketing: [Contact](#)

Technical Support: [Professional User](#)

## Table of Contents

<i>Preface</i> .....	3
<b>Disclaimer</b> _____	3
<b>Technical Support</b> _____	3
<b>Contact Enquiry</b> _____	3
<b>Download User Manual</b> _____	3
<b>Revision History</b> _____	3
<b>AVerMedia Global Offices</b> _____	4
<b>Limited Product Warranty</b> _____	5
<b>Copyright Notice</b> _____	5
<b>Trademark Acknowledgement</b> _____	6
<b>ESD Warning</b> _____	6
<i>1.0 Introduction</i> .....	7
<b>1.1 Product Specifications</b> _____	8
<b>1.2 OPTION ACCESSORY</b> _____	9
<i>2.0 Product Overview</i> .....	10
<b>2.1 Block Diagram</b> _____	10
<b>2.2 Front View and Back View of Carrier board</b> _____	11
<b>2.3 Front View and Three-Quarter View of NO111B/ NX211B BoxPC</b> _____	12
<b>2.4 Connector Summary</b> _____	14
<b>2.5 Switch Summary</b> _____	14
<i>3.0 Feature Description</i> .....	15
<b>3.1 Connector and Switch Locations</b> _____	15
<b>3.2 SerDes (V-by-One® HS)</b> _____	16
<b>3.3 Jetson Nano Connector</b> _____	17

<b>3.4 Fan Power connector</b>	<b>17</b>
<b>3.5 MIPI CSI-2 DPHY Lanes</b>	<b>18</b>
<b>3.6 RTC Battery Connector</b>	<b>19</b>
<b>3.7 OTG/USB Micro-Type Connector</b>	<b>19</b>
<b>3.8 20-Pin GPIO expansion</b>	<b>20</b>
<b>3.9 Gigabit Ethernet Connector</b>	<b>21</b>
<b>3.10 USB 3.1 Gen 1 Type-A Connector #1 and #2</b>	<b>22</b>
<b>3.11 HDMI OUTPUT</b>	<b>22</b>
<b>3.12 Optional Function Selection</b>	<b>23</b>
<b>3.13 Micro SD Card Slot</b>	<b>23</b>
<b>3.14 Other Switches and Jumpers</b>	<b>23</b>
<b>4.0 Installation</b>	<b>24</b>
<b>4.1 BSP Setup Instructions</b>	<b>24</b>
<b>5.0 Software</b>	<b>25</b>
<b>6.0 Force Recovery Mode</b>	<b>25</b>
<b>7.0 Power Consumption</b>	<b>26</b>
<b>8.0 Accessory Drawings</b>	<b>27</b>
<b>8.1 Fan Module/ Adapter/ Power Cord</b>	<b>27</b>
<b>9.0 Dimension Drawings and Assembly Drawings</b>	<b>34</b>
<b>9.1 Dimension Drawings of carrier board</b>	<b>34</b>
<b>9.2 Dimension Drawing of NO111B/ NX211B Box PC</b>	<b>35</b>

## Preface

### Disclaimer

The information contained in this user manual, including but not limited to any product specification is subject to change without notice. AVerMedia assumes no liability for any damages incurred directly or indirectly from any technical or typographical errors or omissions contained herein or for discrepancies between the product and the user manual.

### Technical Support

If you experience the difficulty after reading this manual and/or using the product, please contact the reseller from which you purchased the product. In most cases, the reseller can help you with the product installation and the difficulty you encountered.

In case the reseller is not able to resolve your problem, our highly capable global technical support team can certainly assist you. Our technical support section is available 24 hours a day and 7 days a week through our website, with the click [here](#). For more contact information, you may find it in the section of AVerMedia Global Offices.

### Contact Enquiry

For more information of our products, pricing, and order placement, please fill in our inquiry form [here](#), we will contact you within 24 hours.

### Download User Manual

Please click the link [here](#) to download the file of this user manual from AVerMedia website.

### Revision History

Revision	Date	Updates
Version 1.0	Dec 17, 2020	1 <sup>st</sup> Released


## AVerMedia Global Offices

<https://www.avermedia.com/professional/contact>

### Headquarters

#### Taiwan Office

No. 135, Jjan 1st Rd., Zhonghe Dist., New Taipei City 23585, Taiwan

Tel:  +886-2-2226-3630

Fax: +886-2-3234-4842

Sales & Marketing: [Contact](#)

Technical Support: [Home users](#) /

[Professional users](#)

---

### The Americas

#### USA Office

4038 Clipper Court Fremont, CA 94538

Tel:  (510) 403-0006

Fax: (510) 403-0022

Sales & Marketing: [Contact](#)

Technical Support: [Home users](#) /

[Professional users](#)

#### Brazil Office

Sales & Marketing: [Contact](#)

Technical Support: [Home users](#) /

[Professional users](#)

#### Latin America Office

Sales & Marketing: [Contact](#)

Technical Support: [Home users](#) /

[Professional users](#)

---

### Europe


#### Head Office EU

AVT Solutions GmbH

Hanauer Landstrasse 291 B 60314

Frankfurt Hessen

Germany

 : technicalsupport\_120

Sales & Marketing: [Contact](#)

Technical Support: [Home users](#) /

[Professional users](#)

#### Russia Office

Sales & Marketing: [Contact](#)

Technical Support: [Home users](#) /

[Professional users](#)

Professional Solutions Support Tel:

 +7 (925) 834-0310


#### Spain Office

AVerMedia Europe Group

Ronda de Poniente no. 4 segundo H

28760 Tres cantos, Madrid

Spain:

 : technicalsupport\_120

Sales & Marketing: [Contact](#)

Technical Support: [Home users](#) /

[Professional users](#)

---

### Asia-Pacific

#### China Office

Room 1510, No.488, Hitech Plaza, South

Wuning Rd., Jingan District, Shanghai,

China

Tel:  +86-021-5298 7985

Fax: +86-021-5298 7981

Sales & Marketing: [Contact](#)

Technical Support: [Home users](#) /

[Professional users](#)

#### Japan Office

6F.Kojimachi Syuei Bldg,4-3-13 Kudan-

minami, Chiyoda-ku, Tokyo ,102-0074,

Japan

Sales & Marketing: [Contact](#)

Technical Support: [Home users](#) /

[Professional users](#)

## Limited Product Warranty

AVerMedia provides the one-year product warranty. Should this product, in AVerMedia's opinion, fail to be in the good working order during the warranty period, AVerMedia will, at its option, repair or replace it at no charge, provided that the product has not been subjected to abuse, misuse, accident, disaster, or non-AVerMedia authorized modification or repair.

You may obtain the warranty service by delivering this product to an authorized AVerMedia business partner or to AVerMedia along with the proof of purchase. Product returned to AVerMedia must be pre-authorized by AVerMedia with an RMA (Return Material Authorization) number marked on the outside of the package and sent prepaid, insured, and packaged for the safe shipment. AVerMedia will return the product by prepaid shipment service.

It is not recommended to disassemble the box PC, which will impact the warranty. The limited product warranty is only valid over the serviceable life of the product. This is defined as the period during which all components are available. Should the product prove to be irreparable, AVerMedia reserves the right to substitute an equivalent product if available or to retract the product warranty if no replacement is available.

The above product warranty is the only warranty authorized by AVerMedia. Under no circumstances will AVerMedia be liable in any way for any damages, including any lost profits, lost savings, or other incidental or consequential damages arising out of the use of, or inability to use, such product.

## Copyright Notice

The information contained in this document is subject to change without notice. AVerMedia shall not be liable for errors contained herein or for incidental consequential damages in connection with the furnishing, performance, or use of this material. This document contains proprietary information that is protected by copyright. All rights are reserved. No part of this document may be photocopied, reproduced, or translated to another language without the prior written consent by AVerMedia.

## Trademark Acknowledgement

AVerMedia acknowledges all the trademarks, registered trademarks, and/or copyrights referred to in this document as the property of their respective owners. Not listing all possible trademarks or copyright acknowledgments does not constitute the lack of acknowledgment to the rightful owners of the trademarks and copyrights mentioned in this document.

## ESD Warning

Electronic components and circuits are sensitive to Electrostatic Discharge (ESD). When handling any circuit board assemblies including AVerMedia AVerAI products, it is highly recommended that ESD safety precautions can be observed. ESD safe best practices can include, but are not limited to the following ones.

1. Leave the circuit board in the antistatic package until it is ready to be installed.
2. Use a grounded wrist strap when handling the circuit board. At a minimum, you need to touch a grounded metal object to dissipate any static charge, which may be present on you.
3. Avoid handling the circuit board in the carpeted areas.
4. Handle the board by the edges and avoid the contact with the components.
5. Only handle the circuit boards in ESD safe areas, which may include ESD floor and/or table mats, wrist strap stations, and ESD safe lab coats.

## 1.0 Introduction

AVerMedia AVerAI NO111B/ NX211B includes three fully featured carrier boards and one associated Box PC's which is all developed for NVIDIA® Jetson Nano(Version B01)/ Xavier NX modules. AVerAI NO111B/ NX211B provides not only the access to a great list of latest interfaces on NVIDIA® Jetson Nano(Version B01)/ Xavier NX modules but also one RJ-45 interface and one RTC battery as the function enrichment.

NO111B/ NX211B provides one 4Kp60 HDMI video output, two USB 3.0 ports, one GbE RJ-45 port, 20-pin GPIO expansion, and one Micro-B USB 2.0 port for recovery.

Operating with NVIDIA® Jetson Nano(Version B01)/ Xavier NX modules and the rich I/O functions, AVerAI NO111B/ NX211B is the perfect choice in building a compact, high performance AI edge computing platform for the intelligent video analytics applications.



## 1.1 Product Specifications

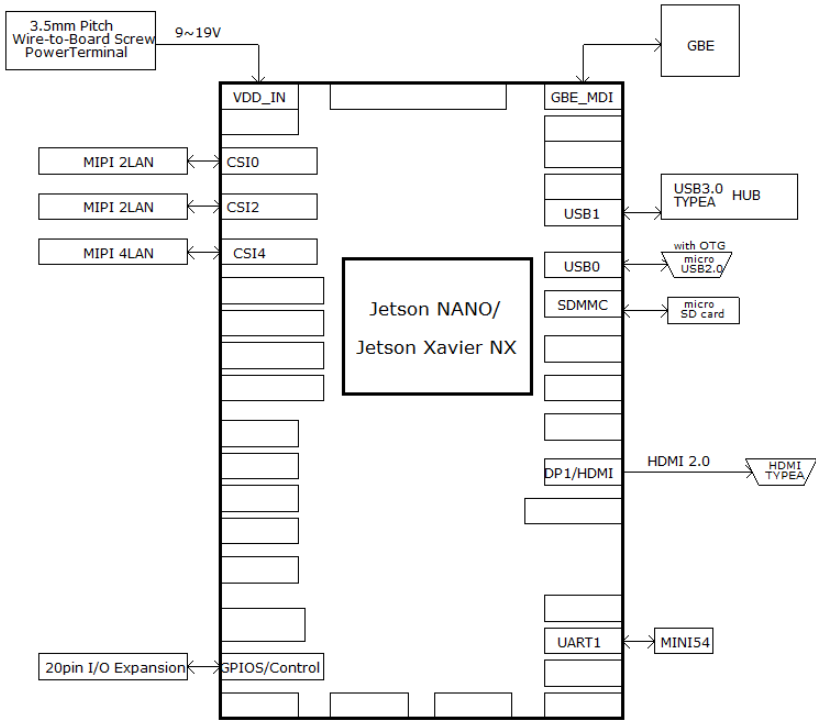
Model	NO111B/ NX211B
Compatibility	NVIDIA® Jetson Nano(Version B01) for NO111B NVIDIA® Jetson Xavier NX for NX211B
Networking	1x GbE RJ-45
Display Output	3840 x 2160 at 60Hz
Temperature	Operating temperature 0°C~60°C Storage temperature -40°C ~ 85°C Relative humidity 40 °C @ 95%, Non-Condensing
MIPI Camera Inputs (internal I/O)	-2x 2 Lane MIPI CSI-2, 15 pin FPC 1mm Pitch Connector -1x 4 Lane MIPI CSI-2, 36 pin FPC 0.5mm Pitch Connector
USB	1x USB 2.0 Micro-B for recovery 2x USB 3.0 Type-A
Storage	1x micro-SD card slot
GPIO Expansion (internal I/O)	20 pin: 2x I2C, 1x UART, 9x GPIOs
Input Power	12V/5A ; 9V~19V is recommended.
Buttons	Power and Recovery
RTC Battery	Support RTC battery and Battery Life Monitoring by MCU
Dimension/ Weight	W: 91.4mm x L: 76.6mm x H: 70mm (3.60" x 3.02" x 2.76") Weight: 495g
Accessory	12V/5A adapter and power cord
Certifications	CE, FCC, KC

## 1.2 OPTION ACCESSORY

Item	NO111B/ NX211B	NO111B/ NX211B
NVIDIA® Jetson	NVIDIA® Jetson Nano(Version B01) for NO111B NVIDIA® Jetson Xavier NX for NX211B	
Power cord	EU/JP/TW/US/CN/UK	
MIPI Camera (internal I/O)	<ul style="list-style-type: none"> <li>● For 15 pin MIPI connector               <ul style="list-style-type: none"> <li>■ raspberry pi camera v2</li> <li>■ Manufacturer: APPRO.PHO                   <ol style="list-style-type: none"> <li>1. B-04: IMX179(8M)MIPI, 1080P(30fps)</li> <li>2. C-04: IMX290(2M)MIPI, 1080P(30fps)</li> <li>3. C-05: IMX290(2M)+ISP(YUV), 1080P(30fps)</li> </ol> </li> </ul> </li> <li>● For 36 pin MIPI connector               <ul style="list-style-type: none"> <li>■ Manufacturer: APPRO.PHO                   <ol style="list-style-type: none"> <li>1. B-03: IMX334(4K) MIPI, 4K(30fps)</li> <li>2. A-06: IMX334(4K) V-by-One® HS x1, 4K(30fps)</li> </ol> </li> </ul> </li> </ul>	

## 2.0 Product Overview

### 2.1 Block Diagram





## 2.3 Front View and Three-Quarter View of NO111B/ NX211B BoxPC





## 2.4 Connector Summary

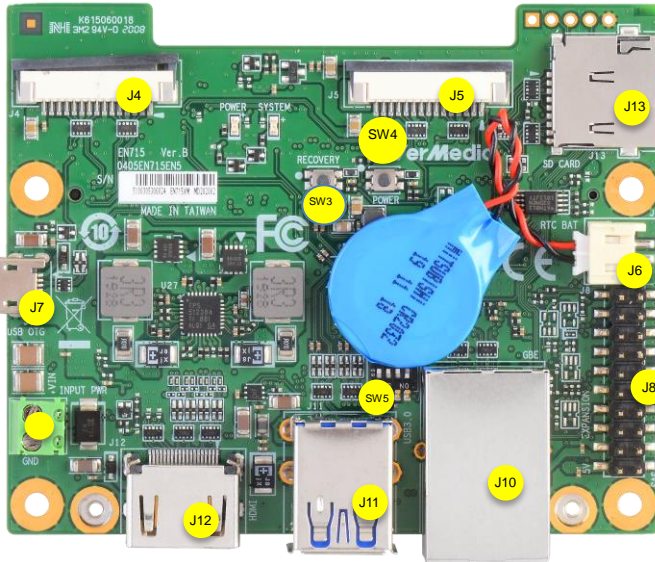
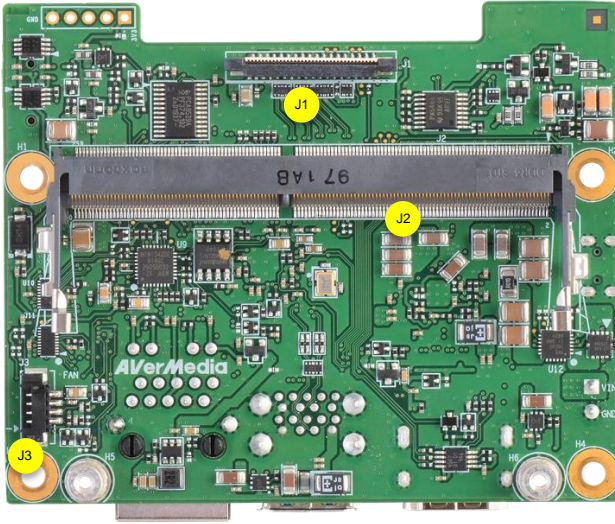
PCB Code	Designation	Description
NO111B/NX 211B	J1	4 Lane MIPI CSI-2 camera connector
	J2	SO-DIMM socket for NVIDIA® Jetson / NX module
	J3	Fan Power connector
	J4	2 Lane MIPI CSI-2 camera connector
	J5	2 Lane MIPI CSI-2 camera connector
	J6	RTC battery connector
	J7	USB 2.0 Micro-B
	J8	20-pin GPIO expansion
	J9	N/A
	J10	Gigabit Ethernet connector
	J11	USB 3.1 Gen 1 Type-A connectors
	J12	HDMI 2.0 connector
	J13	Micro SD card slot

## 2.5 Switch Summary

Designation	Description
SW3	RECOVERY button
SW4	POWER on button
SW5	Fan PWM controller/Auto Power on

## 3.0 Feature Description


### 3.1 Connector and Switch Locations




This connector is removed for box PC ->




### 3.2 SerDes (V-by-One® HS)

Function	MIPI camera module connector																																																																															
Location	J1																																																																															
Type Description	WAFER_1*36PIN_0.5mm_180°																																																																															
Manufacturer and Part Number	PINREX 979-44-93610A_ZIF FPC																																																																															
Mating Connector	4 Lane MIPI CSI-2 camera connector (36PIN)																																																																															
PIN OUT	<table border="1"> <thead> <tr> <th>PIN#</th> <th>Description</th> <th>PIN#</th> <th>Description</th> </tr> </thead> <tbody> <tr><td>PIN 1</td><td>+5V MIPI</td><td>PIN 19</td><td>GND</td></tr> <tr><td>PIN 2</td><td>+5V MIPI</td><td>PIN 20</td><td>CSI4_D2_P</td></tr> <tr><td>PIN 3</td><td>+1V8</td><td>PIN 21</td><td>CSI4_D3_N</td></tr> <tr><td>PIN 4</td><td>+3.3V MIPI</td><td>PIN 22</td><td>GND</td></tr> <tr><td>PIN 5</td><td>+3.3V MIPI</td><td>PIN 23</td><td>N/A</td></tr> <tr><td>PIN 6</td><td>+3.3V MIPI</td><td>PIN 24</td><td>N/A</td></tr> <tr><td>PIN 7</td><td>GND</td><td>PIN 25</td><td>N/A</td></tr> <tr><td>PIN 8</td><td>CSI4_D0_P</td><td>PIN 26</td><td>MIPI4_PWDN</td></tr> <tr><td>PIN 9</td><td>CSI4_D0_N</td><td>PIN 27</td><td>CSI4_I2C_SDA</td></tr> <tr><td>PIN 10</td><td>GND</td><td>PIN 28</td><td>CSI4_I2C_SCL</td></tr> <tr><td>PIN 11</td><td>CSI_4_CLK_P</td><td>PIN 29</td><td>GND</td></tr> <tr><td>PIN 12</td><td>CSI_CLK_N</td><td>PIN 30</td><td>N/A</td></tr> <tr><td>PIN 13</td><td>GND</td><td>PIN 31</td><td>N/A</td></tr> <tr><td>PIN 14</td><td>GND</td><td>PIN 32</td><td>N/A</td></tr> <tr><td>PIN 15</td><td>CSI4_D1_N</td><td>PIN 33</td><td>N/A</td></tr> <tr><td>PIN 16</td><td>GND</td><td>PIN 34</td><td>GND</td></tr> <tr><td>PIN 17</td><td>CSI4_D2_P</td><td>PIN 35</td><td>CAM4_MCLK</td></tr> <tr><td>PIN 18</td><td>CSI4_D3_P</td><td>PIN 36</td><td>GND</td></tr> </tbody> </table>	PIN#	Description	PIN#	Description	PIN 1	+5V MIPI	PIN 19	GND	PIN 2	+5V MIPI	PIN 20	CSI4_D2_P	PIN 3	+1V8	PIN 21	CSI4_D3_N	PIN 4	+3.3V MIPI	PIN 22	GND	PIN 5	+3.3V MIPI	PIN 23	N/A	PIN 6	+3.3V MIPI	PIN 24	N/A	PIN 7	GND	PIN 25	N/A	PIN 8	CSI4_D0_P	PIN 26	MIPI4_PWDN	PIN 9	CSI4_D0_N	PIN 27	CSI4_I2C_SDA	PIN 10	GND	PIN 28	CSI4_I2C_SCL	PIN 11	CSI_4_CLK_P	PIN 29	GND	PIN 12	CSI_CLK_N	PIN 30	N/A	PIN 13	GND	PIN 31	N/A	PIN 14	GND	PIN 32	N/A	PIN 15	CSI4_D1_N	PIN 33	N/A	PIN 16	GND	PIN 34	GND	PIN 17	CSI4_D2_P	PIN 35	CAM4_MCLK	PIN 18	CSI4_D3_P	PIN 36	GND			
	PIN#	Description	PIN#	Description																																																																												
	PIN 1	+5V MIPI	PIN 19	GND																																																																												
	PIN 2	+5V MIPI	PIN 20	CSI4_D2_P																																																																												
	PIN 3	+1V8	PIN 21	CSI4_D3_N																																																																												
	PIN 4	+3.3V MIPI	PIN 22	GND																																																																												
	PIN 5	+3.3V MIPI	PIN 23	N/A																																																																												
	PIN 6	+3.3V MIPI	PIN 24	N/A																																																																												
	PIN 7	GND	PIN 25	N/A																																																																												
	PIN 8	CSI4_D0_P	PIN 26	MIPI4_PWDN																																																																												
	PIN 9	CSI4_D0_N	PIN 27	CSI4_I2C_SDA																																																																												
	PIN 10	GND	PIN 28	CSI4_I2C_SCL																																																																												
	PIN 11	CSI_4_CLK_P	PIN 29	GND																																																																												
	PIN 12	CSI_CLK_N	PIN 30	N/A																																																																												
	PIN 13	GND	PIN 31	N/A																																																																												
	PIN 14	GND	PIN 32	N/A																																																																												
	PIN 15	CSI4_D1_N	PIN 33	N/A																																																																												
	PIN 16	GND	PIN 34	GND																																																																												
	PIN 17	CSI4_D2_P	PIN 35	CAM4_MCLK																																																																												
	PIN 18	CSI4_D3_P	PIN 36	GND																																																																												


### 3.3 Jetson Nano Connector

Function	Provide connection with NVIDIA® Jetson Nano /Xavier NX modules	
Location	J2	
Type Description	SOCKET_DDR4 SO-DIMM_260PIN_90°	
Manufacturer and Part Number	Foxconn ASAA826-EASB0-7H	
Mating Connector	NVIDIA® Jetson Nano(Version B01) /	
Pinout	Please refer to NVIDIA Jetson Nano System-on-Module datasheet for pinout details.	
Remarks	<a href="https://developer.nvidia.com/embedded/downloads">https://developer.nvidia.com/embedded/downloads</a>	

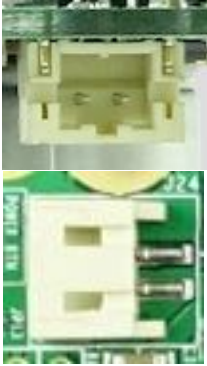
### 3.4 Fan Power connector

Function	Fan Power Connector			
Location	J3			
Type Description	WAFER_1*4PIN_1.25mm_90°			
Manufacturer and Part Number	ACES 50271-0040N-001_BLACK			
Pinout	Pin #	Description		
	PIN 1	GND		
	PIN 2	Power +5V		
	PIN 3	FAN_TACH		
	PIN 4	FAN_PWM		
Remarks	None			

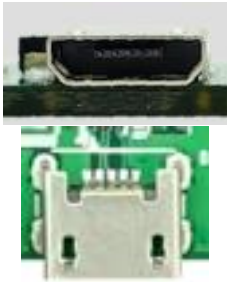
### 3.5 MIPI CSI-2 DPHY Lanes

Function	MIPI camera module connector			
Location	J4 , J5			
Type Description	WAFER_15PIN_1mm_90°			
Manufacturer and Part Number	CHAMPWAY AFA07-S15FCA-HF_FPC ZIF-LOWER			
Mating Connector	2 Lane MIPI CSI-2 camera connector (15Pin)			
Pinout	PIN#	Description	PIN#	Description
	PIN 1	GND	PIN 9	CSI2_CLK_P
	PIN 2	CSI2_D0_N	PIN 10	GND
	PIN 3	CSI2_D0_P	PIN 11	MIPI2_PWDN
	PIN 4	GND	PIN 12	CAM2_MCLK
	PIN 5	CSI2_D1_N	PIN 13	CSI2_I2C_SCL
	PIN 6	CSI2_D1_P	PIN 14	CSI2_I2C_SDA
	PIN 7	GND	PIN 15	+3V3_MIPI
	PIN 8	CSI2_CLK_N		


### 3.6 RTC Battery Connector

Function	RTC battery for module		
Location	J6		
Type Description	2.0mm wire-to-board header 02P type		
Manufacturer and Part Number	Pinrex, 721-94-02TWR9		
Mating Connector	Tyu, TU2001HNO-02		
Pinout	Pin #	Description	
	PIN1	3V Power	
	PIN2	GND	
Remarks	RTC Battery: MITSUBISHI, CR2032 3V		

### 3.7 OTG/USB Micro-Type Connector

Function	OTG programming recovery	
Location	J7	
Type Description	USB micro-type B female connector	
Manufacturer and Part Number	Fullglory, FG-MCB-111440	
Mating Connector	Any USB standard Micro-type interface cable or device.	
Pinout	Please refer to USB Micro-type standard.	
Remarks	None	

## 3.8 20-Pin GPIO expansion

Function	General-purpose input/output )	
Location	J8	
Type Description	2x I2C, 1x UART, 9x GPIOs	
Manufacturer and Part Number	光榮_PHPME006-100ARRH	
Mating Connector	20-Pin GPIO expansion	

Pinout


### NO111B

Address	Pin Name	20-Pin Index	Pin Name	Address
	+3V3	1 2	+5V	
	GND	3 4	GND	
/dev/i2c-1	I2C1_SDA	5 6	UART2_TXD_3V3	Debug Console
	I2C1_SCL	7 8	UART2_RXD_3V3	/dev/ttyS0
/dev/i2c-0	I2C0_SDA	9 10	GND	
	I2C0_SCL	11 12	SPI1_SCK	gpio14
gpio79	I2S0_SCLK	13 14	SPI1_MISO	gpio13
gpio78	I2S0_DOUT	15 16	SPI1_MOSI	gpio12
gpio77	I2S0_DIN	17 18	SPI1_CS0	gpio15
gpio76	I2S0_FS	19 20	SPI1_CS1	gpio232


### NX211B

Address	Pin Name	20-pin Index	Pin Name	Address
	+3V3	1 2	+5V	
	GND	3 4	GND	
/dev/i2c-8	I2C1_SDA	5 6	UART2_TXD	/dev/ttyTCU0 Debug Console
	I2C1_SCL	7 8	UART2_RXD	
/dev/i2c-1	I2C0_SDA	9 10	GND	
	I2C0_SCL	11 12	SPI1_SCK	gpio480 Bidirection
gpio445 Bidirection	I2S0_SCLK	13 14	SPI1_MISO	gpio481 Bidirection
gpio446 Bidirection	I2S0_DOUT	15 16	SPI1_MOSI	gpio482 Bidirection
gpio447 Bidirection	I2S0_DIN	17 18	SPI1_CS0	gpio483 Bidirection
gpio448 Bidirection	I2S0_FS	19 20	SPI1_CS1	gpio484 Bidirection

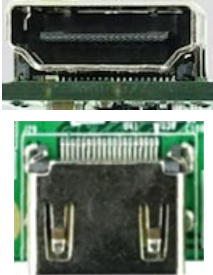
### 3.9 Gigabit Ethernet Connector

Function	1Gb Ethernet connector, used to connect to the host system.	
Location	J10	
Type Description	RJ45 8P8C single-port with LED	
Manufacturer and Part Number	Champway, 8188D-B514-00200	
Mating Connector	Any RJ45 plug with Cat5, Cat5e, Cat6 type cabling.	
Pinout	Comply with Ethernet standards.	
Remarks	None	


### 3.10 USB 3.1 Gen 1 Type-A Connector #1 and #2

Function	USB 3.1 Gen 1 Type-A connector #1 & #2	
Location	J11	
Type Description	Dual-port USB 3.1 Gen 1 Type-A female connector	
Manufacturer and Part Number	Foxconn, UEA1112C-4HK1-4H	
Mating Connector	Any USB 3.1 standard Type-A interface cable or device.	
Pinout	Please refer to USB 3.1 Gen 1 standard.	
Remarks	None	


### 3.11 HDMI OUTPUT

Function	HDMI output connector	
Location	J12: HDMI	
Type Description	HDMI Type-A female connector	
Manufacturer and Part Number	Compupack, ACNHM220028-001	
Mating Connector	Any HDMI standard Type-A interface cable or device.	
Pinout	Please refer to HDMI standard.	
Remarks	None	

### 3.12 Optional Function Selection

Function	Fan PWM controller/Auto Power on																	
Location	SW5																	
Type Description	4 SPST DIP switch																	
Manufacturer and Part Number	DIPTRONICS IN OFF-SWITCHING 0.025A/24VDC																	
Pinout	<table border="1"> <thead> <tr> <th>SW</th> <th>Description</th> <th>ON</th> </tr> </thead> <tbody> <tr> <td>S1</td> <td>Fan PWM controller</td> <td>Fan always on</td> </tr> <tr> <td>S2</td> <td>N/A</td> <td>N/A</td> </tr> <tr> <td>S3</td> <td>Auto power on</td> <td>Auto power on disabled</td> </tr> <tr> <td>S4</td> <td>Test mode off</td> <td>Test mode on (for factory use)</td> </tr> </tbody> </table>			SW	Description	ON	S1	Fan PWM controller	Fan always on	S2	N/A	N/A	S3	Auto power on	Auto power on disabled	S4	Test mode off	Test mode on (for factory use)
	SW	Description	ON															
	S1	Fan PWM controller	Fan always on															
	S2	N/A	N/A															
	S3	Auto power on	Auto power on disabled															
S4	Test mode off	Test mode on (for factory use)																
Remark	Default S1 on																	

### 3.13 Micro SD Card Slot

Function	Micro SD Card	
Location	J13	
Type Description	SOCKET_MICRO SD CARD_9PIN_90°_SMD	
Manufacturer and Part Number	Fullglory, FG-0011BAAS09A	
Pinout	Refer to MicroSD card standard	
Remark	None	

### 3.14 Other Switches and Jumpers

Other switches and jumpers listed on the boards but not mentioned in this manual are reserved for the internal use by AVerMedia. They are not open to the client application.



## 4.0 Installation

1. Check and ensure all the external system power supplies are turned off.
2. Install the Micro USB2.0 cable to OTG connector.
3. Press and hold on the Recover button.
4. Connect the power cord to the box PC.

### 4.1 BSP Setup Instructions

BSP (board support package) file: EN715-R1.0.\*.tar.gz for NO111B

BSP (board support package) file: EN715-NX-R1.0.\*.tar.gz for NX211B

<https://www.avermedia.com/professional/download/en715#parentHorizontalTab2>

Default login username/password of the BSP is nvidia/nvidia

If you have difficulties to access the BSP download link, please visit AVerMedia website at <https://www.avermedia.com/professional/download>, or contact technical support at [https://www.avermedia.com/professional/technical\\_support](https://www.avermedia.com/professional/technical_support) or e-mail us at [eusupport@avermedia.com](mailto:eusupport@avermedia.com) for further assistance.

BSP Installation steps for NVIDIA Jetson board: (Important Note: Please backup your personal files before re-flashing BSP)

After you download the BSP file and put the file in a Linux PC, please refer to the steps below to re-flash BSP.

#### 1. Let the JETSON Nano/Xavier NX initiate recovery mode.

You have to keep pressing “Recovery” button and then power on the NVIDIA Jetson board to initiate recovery mode.

When connecting a NVIDIA Jetson board to a Linux PC via a MicroUSB to USB cable, you can check kernel messages with `dmesg` command in the Linux PC.

Once you see these messages in the kernel messages, this means that the NVIDIA Jetson board is in the recovery mode.

```
[24685.229129] usb 1-7: Product: APX
```

```
[24685.229132] usb 1-7: Manufacturer: NVIDIA Corp
```

## 2. Using the commands below in the Linux PC to start re-flashing BSP.

```
$ sudo tar zxvf EN715-R1.0.*.tar.gz
```

(file: EN715-R1.0.\*.tar.gz for NO111B/ file: EN715-NX-R1.0.\*.tar.gz for NX211B)

```
$ cd JetPack_*.*/Linux_for_Tegra
```

```
$ sudo ./flash.sh Jetson-nano-emmc mmcblk0p1
```

(For the Xavier NX module:

```
$ sudo ./flash.sh Jetson-xavier-nx-devkit-emmc mmcblk0p1)
```

Note: sudo is required to re-flash the BSP.

## 5.0 Software

For L4T (Linux for Tegra) BSP support and the other software support associated with NVIDIA® Jetson Nano / Xavier NX , please visit AVerMedia website to contact our technical support function. (<https://www.avermedia.com/tw/support/contact>)

## 6.0 Force Recovery Mode

USB 3.0/OTG port of NO111B/NX211B can be used to re-program NVIDIA® Jetson NANO /Xavier NX by using the other host system running NVIDIA Jetpack, as the procedure described below.

1. Power off the system. Ensure the system power must be completely OFF, instead of staying in the suspend mode or the sleep mode.
2. Connect a USB cable from OTG USB port to the other host system which will be used to re-program the new system file into NVIDIA® Jetson Nano/ Xavier NX.
3. Press and hold down Force Recovery Button and then power on the carrier board.
4. After three seconds, release Force Recovery Button.
5. NVIDIA® Jetson Nano/Xavier NX will show up on the USB list of the host system as a new NVIDIA target device.
6. After the system software is updated successfully, please ensure to power off the system. A clean power-on will then revert OTG port back to the host mode.

## 7.0 Power Consumption

Item Description	Power Consumption
Theoretical Maximum System Power Consumption	<ul style="list-style-type: none"> <li>● Maximum power consumption of NO111B is about 14W</li> <li>● Maximum power consumption of NX211B is about 18.5W</li> </ul> The condition is connected to HDMI and RJ45 with CPU/ GPU full loading. (maximum power consumption up to 60W based on adapter )
Typical System Power Consumption	The power consumption under the normal operating mode is depending on the application software running with NVIDIA® Jetson Nano /Xavier NX.

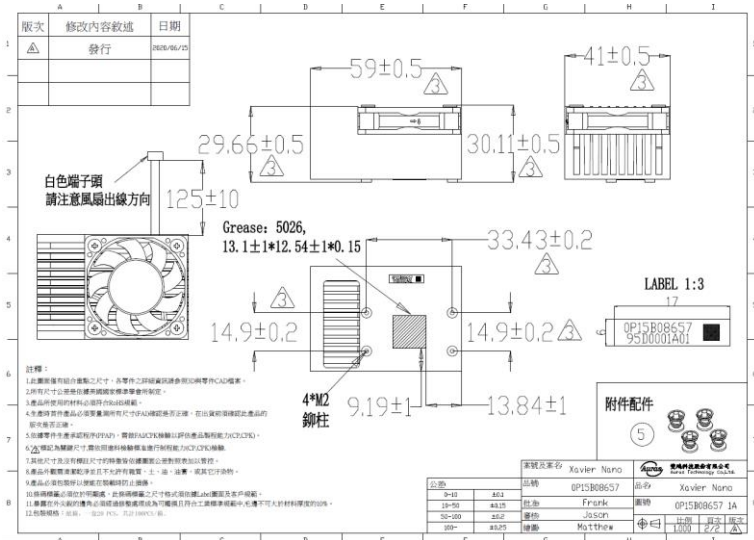
## 8.0 Accessory Drawings

### 8.1 Fan Module/ Adapter/ Power Cord

Fan Module for NANO

Vendor A :

- Rated Voltage: 5V
- Operating Voltage Range: 4V~5.5V
- Rated Speed: 6000RPM±10%  
(Testing Speed After Continuous 3 Minute Operation At Ambient Temperature Of 25 °C)
- Life Expectancy: 70,000hours at 40°C (WITH 15~65% RH)
- Bearing Type: Two Ball



Vendor B :

- Rated Voltage: 5V
- Operating Voltage Range: 4V~5.5V
- Rated Speed: 6000RPM±10%  
(Testing Speed After Continuous 3 Minute Operation At Ambient Temperature Of 25 °C)
- Life Expectancy: 70,000hours at 40°C (WITH 15~65% RH)
- Bearing Type: Two Ball

ITEM	DESCRIPTION	QUANTITY	SPEC.
1	SINK	1	AL6063 COLOR: BLACK
2	FAN	1	4010-6000rpm-5V LIFE EXPECTANCY: 70000 HOURS AT 40°C
3	SCREW	4	T2.0 L12
4	銅鍍化PAD	1	TIC TW 805A, K=2.5
5	SPRING SCREW	4	

圖號	圖名	版次	日期	製圖	審核	批准	備註

\*AverMedia Confidential\*

圖號	圖名	版次	日期	製圖	審核	批准	備註

### Fan Module for NX

- Rated Voltage: 5V
- Operating Voltage Range: 4V~5.5V
- Rated Speed: 6000RPM±10%  
(Testing Speed After Continuous 3 Minute Operation At Ambient Temperature Of 25 °C)
- Life Expectancy: 70,000hours at 40°C (WITH 15~65% RH)
- Bearing Type: Two Ball

版次	修改內容敘述	日期
▲	發行	2020/05/26

白色4pin端子  
請注意風扇出線方向

CPU PAD 22.75\*17.3\*1

PAD 11±0.35\*9.9±0.35\*1

4\*M2 铆柱

OPT1580B616 5\*8\*0.2\*1

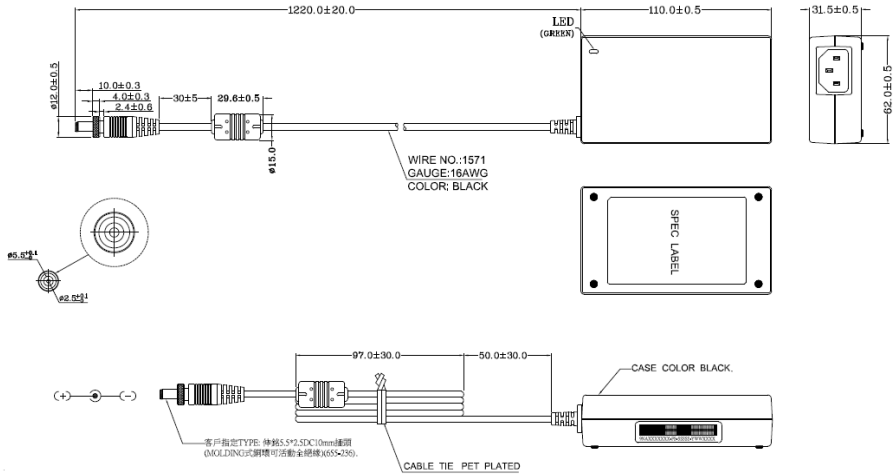
附件配件

公司	名稱及型號	品名	規格
AVerMedia	Xavier NX	品名	Xavier NX
AVerMedia	品號OPT1580B616	品名	品號OPT1580B616 1A
AVerMedia	Frank	品名	品號OPT1580B616 1A
AVerMedia	Jason	品名	品號OPT1580B616 1A
AVerMedia	Matthew	品名	品號OPT1580B616 1A

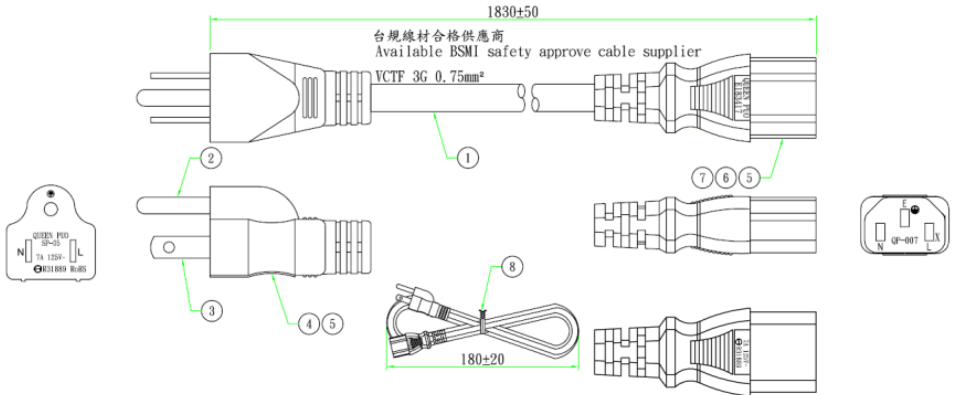
註釋：

- 1.此圖紙僅有綜合重點之尺寸，非零件之詳細圖紙請參閱設備零件CAD檔案。
- 2.所有尺寸公差係依據美國國家標準學會制定。
- 3.產品所使用之材料必須符合RoHS規範。
- 4.所有零件產品必須量測所有尺寸以確認符合正確，在出貨前須確認此產品的零件數量正確。
- 5.所有零件非標準程序存貯於A/B，需經IATF16949檢驗以評估產品製成能力(CPK,CPK)。
- 6.▲標記為關鍵尺寸，需依照材料檢驗標準進行檢驗以C/C,CPK,CPK檢驗。
- 7.其他尺寸及沒有標註尺寸之特徵皆係依據圖面公差對照加以管控。
- 8.產品外觀需清潔乾淨並符合下列特徵：上、漆、油、漆、或任何污染。
- 9.產品必須依照所有檢驗標準進行檢驗。
- 10.所有標記必須包含於圖紙，此標記標記之尺寸格式為標準ASME圖紙及客戶規範。
- 11.標記在外觀的應為必須經過檢驗或成為可觸摸且符合公差標準規範中，不應有材料厚度的公差。
- 12.圖紙規格：單位：mm，公差：mm，公差：mm。
13. Twp: 原圖與此圖紙包含尺寸公差與其他任何技術規格列表比較。

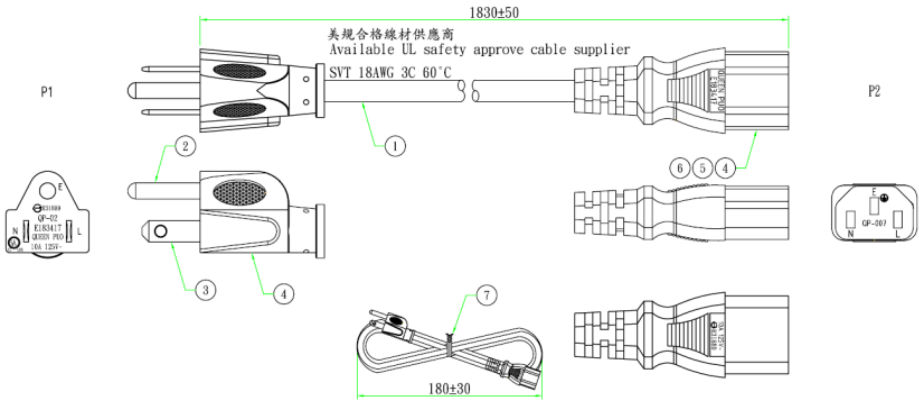
## Power Adapter 04131HGOUANK



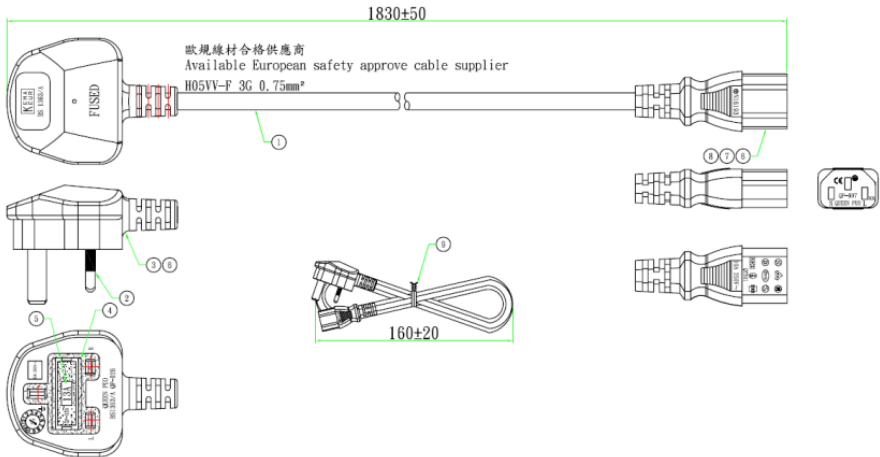
## 64APOWBRX-IPD (TW version)



## 064APOWBR2-IPD (US version)

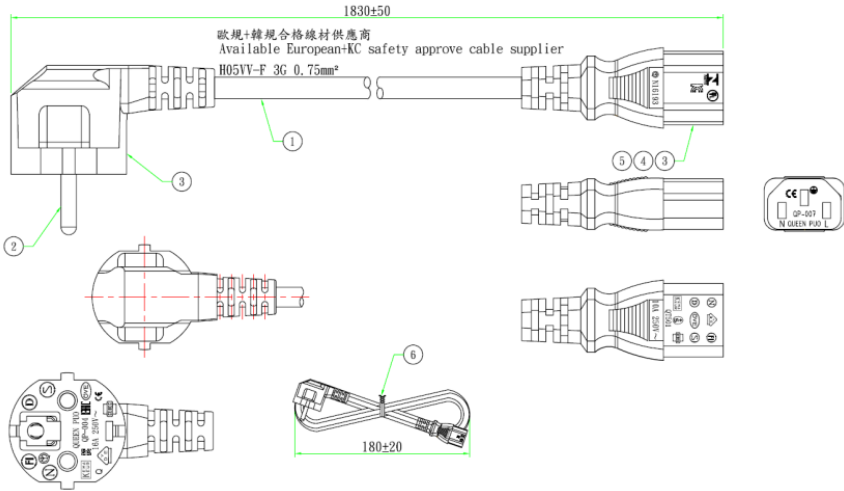


## 064APOWBRW-IPD (UK version)

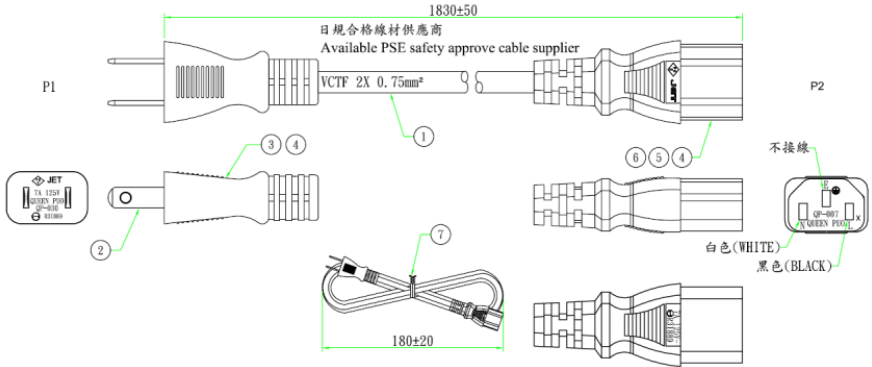




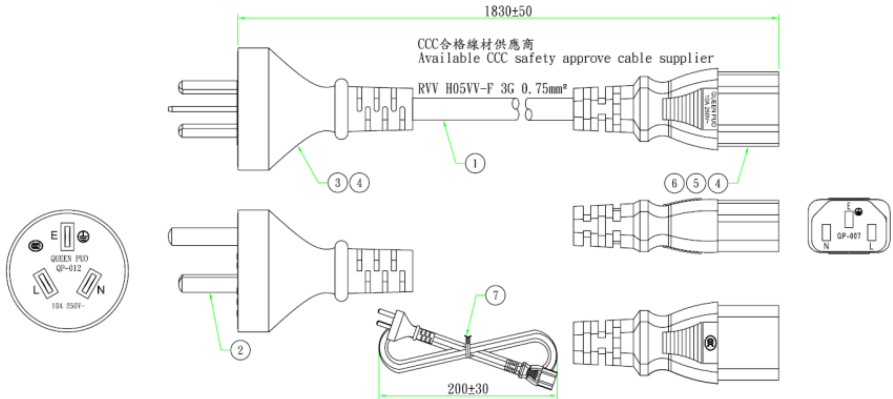
## 064APOWBR5-IPD (EU version)



## 064APOWBRSL (JP version)

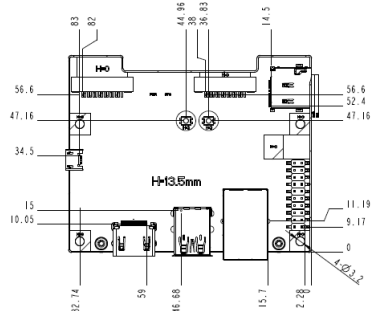
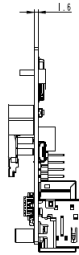
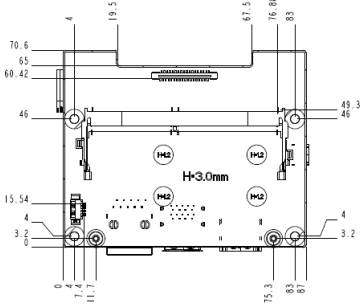
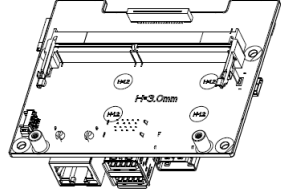
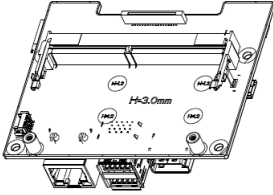


## 064APOWBR4-IPD (CN version)



## 9.0 Dimension Drawings and Assembly Drawings

### 9.1 Dimension Drawings of carrier board



## 9.2 Dimension Drawing of NO111B/ NX211B Box PC

